

PAMS Technical Documentation

NSM-5 Series Transceivers

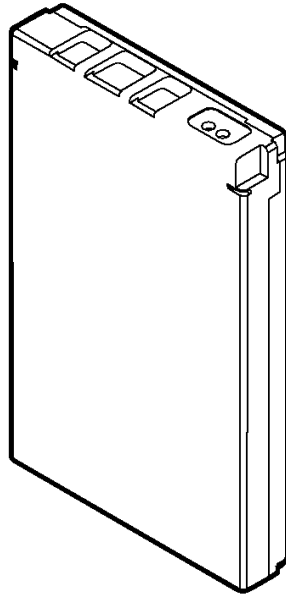
Non Serviceable Accessories

CONTENTS

BLB-2 Standard Battery	3
ACP-8 Travel Charger	4
Products	4
Specification	4
DDC-1 Battery Charging Stand	5
Specification	5
LCH-9 Mobile Charger	6
Specification	6
HDD-1 Dual Headset	7
HDC-5 Headset	8
HDE-2 Headset	9
HDB-5 Boom Headset	10
Loopset LPS-3	11
Recommended Batteries	11
Music Player HDR-1	12

BLB-2 Standard Battery

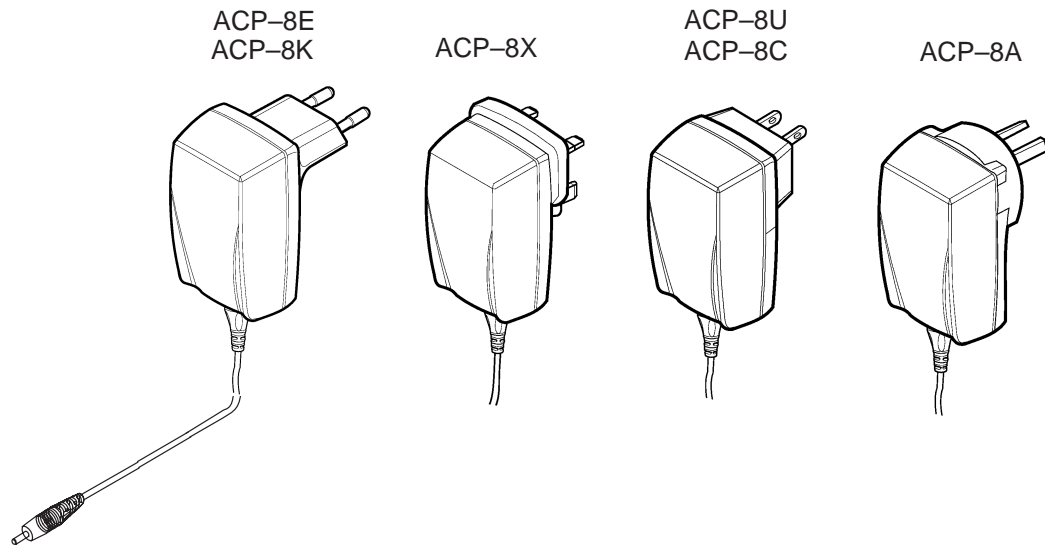
The BLB-2 is a Li-ion 750mAh battery in white plastic package.



ACP-8 Travel Charger

Operating within the voltage range 90 V...264 V AC (50 Hz...60 Hz), the Travel Charger is practically current independent in normal office and household use. Like the standard charger, it is compatible with all battery options and is available for different wall sockets.

The Travel Charger can also be used with desktop stand.



Products

Travel Charger Euro plug 90-264 Vac	ACP-8E
Travel Charger Korea plug 90-264 Vac	ACP-8K
Travel Charger UK plug 90-264 Vac	ACP-8X
Travel Charger US plug 90-264 Vac	ACP-8U
Travel Charger China plug 90-264 Vac	ACP-8C
Travel Charger Australia plug 90-264 Vac	ACP-8A

Specification

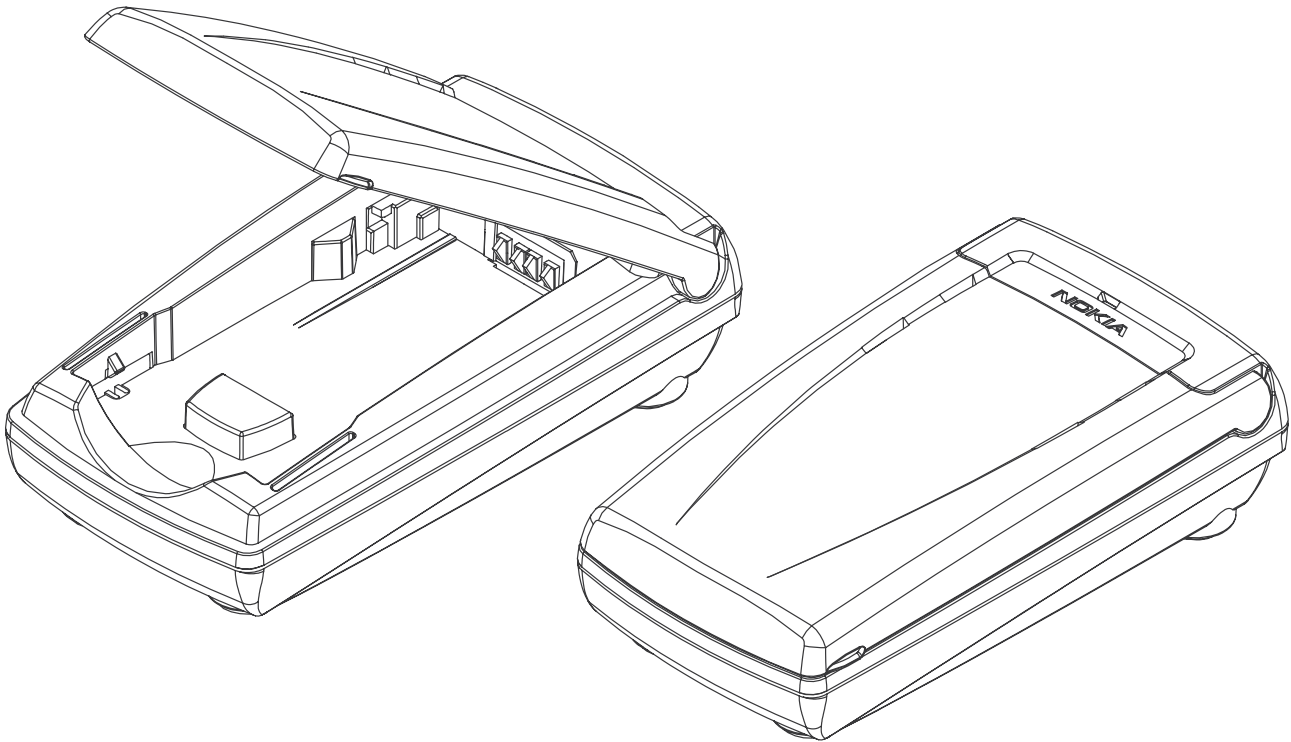
Output connectors: 3.5 mm DC plug, 2-pole (+, -, control)

Protection: Output fault voltage 16 V max.

Output voltage/current (typ): 6.0 V (± 0.3 V)/620 mA

DDC-1 Battery Charging Stand

The provides the possibility to charge a spare battery.

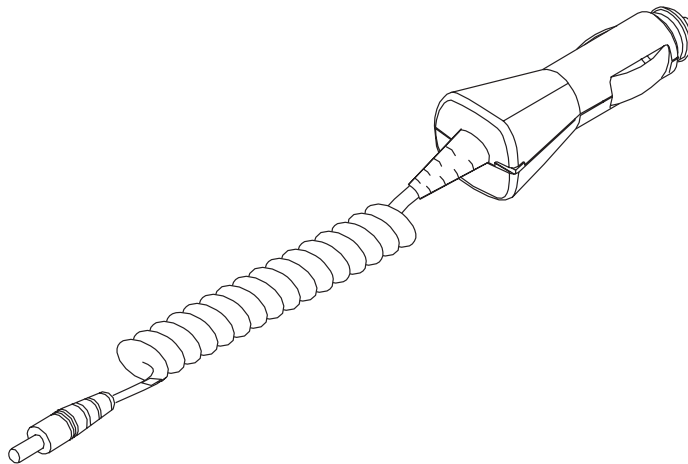


Specification

Connections: *3.5 mm DC jack (ACP-7 or ACP-8)*

LCH-9 Mobile Charger

A green light indicates that the cigarette lighter charger is ready for charging. Check the charging status on the phone display. The input voltage can be from 11 or 32 V DC, negative grounding.

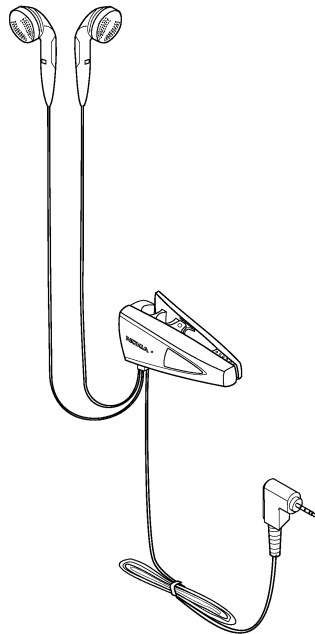


Specification

Connectors	
• input:	<i>D 21/23 mm</i>
• output:	<i>3.5 mm DC plug</i>
Protection:	<i>input fused, output current limit 850 mA</i>
Voltage	
• input:	<i>11...32 V</i>
• output (nominal):	<i>8.4 V</i>
Nominal output current:	<i>800 mA</i>

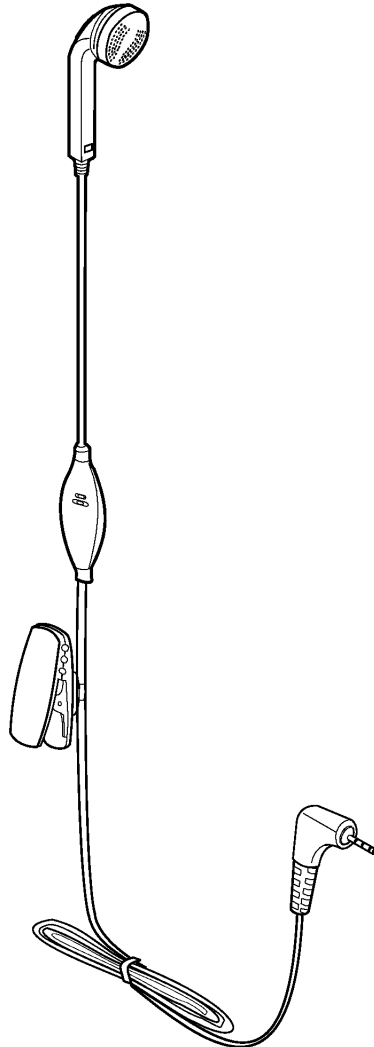
HDD-1 Dual Headset

The HDD-1 headset provides a good audio quality and has also switch for answer/end button.



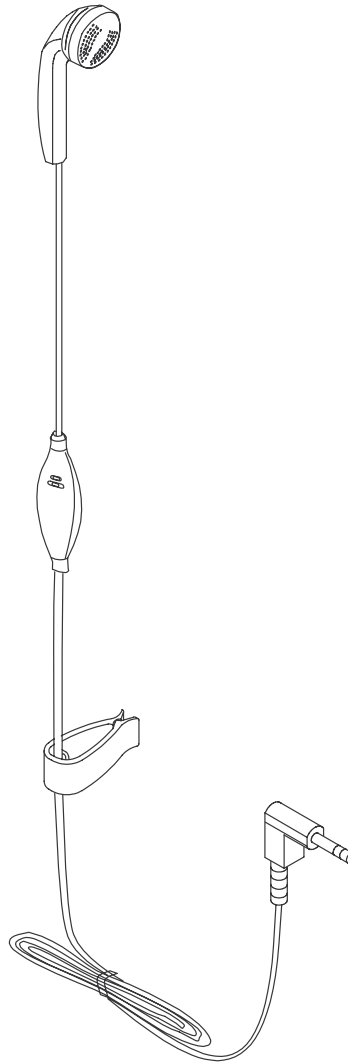
HDC-5 Headset

The HDC-5 headset has also switch for answer/end button.



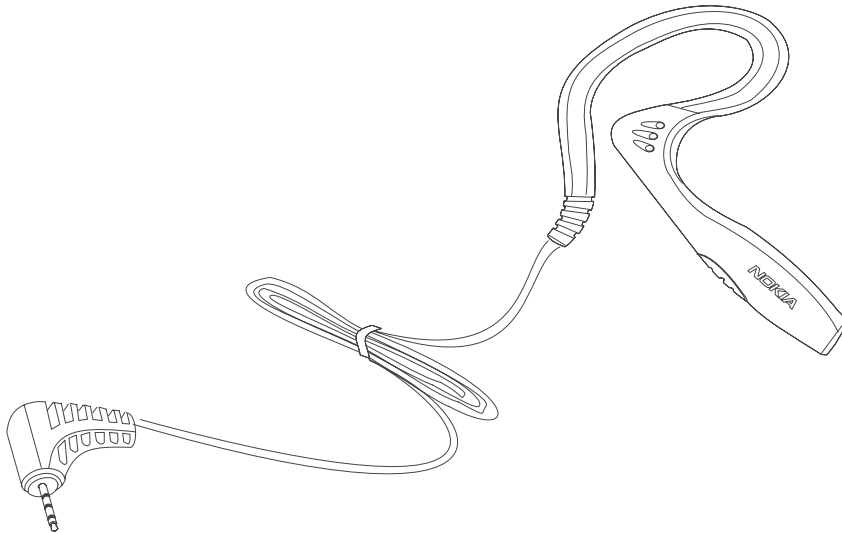
HDE-2 Headset

The HDE-2 headset provides convenient hands free operation of the phone.



HDB-5 Boom Headset

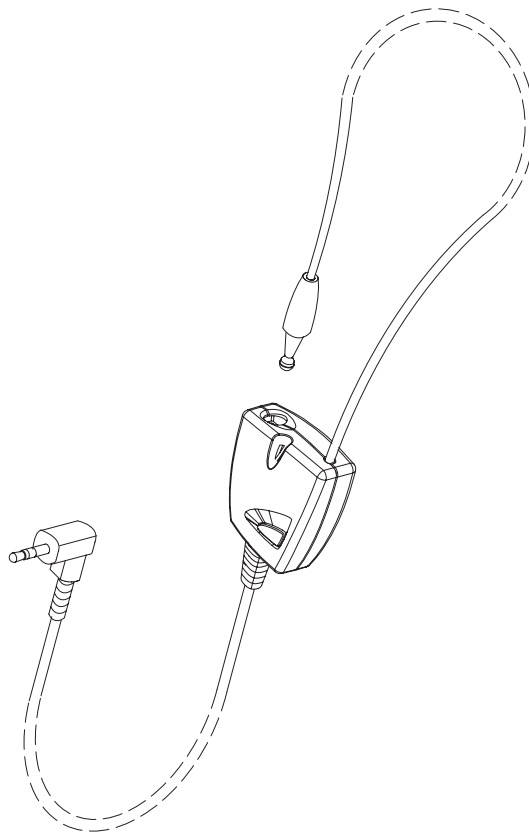
The HDB-5 Boom headset provides convenient hands free operation of the phone and excellent audio quality.



Loopset LPS-3

Loopset LPS-3 has been developed for hearing aid users to allow them to use mobile phones. It is based on induction technology.

All hearing aids have support for induction loop, i.e. they have a little telecoil inside. This coil can capture the signal supplied to the loop. Standard hearing aids have two operation modes; M-mode for normal microphone use and T-mode for telecoil use.



Recommended Batteries

Type	Size / IEC-type	Rated capacity	Talk time (3mA load)	Standby (20uA load)
Zinc Air Hearing Aid Battery	675 / PR44	540 mAh	180 hour.	840 hour or 35 day (1)
Silver Oxide Hearing Aid Battery	675 / SR44	150 mAh	50 hour.	7 500 hour or 310 day.
Alkaline Battery	675 / LR44	110 mAh	36 hour.	5 500 hour or 230 day.

Note (1): The capacity of the zinc air battery will fall 20% in a month. After the activation the zinc air battery begins to self-discharge. The battery will be empty within 5 weeks.

Music Player HDR-1

HDR-1 has digital player + FM radio + handsfree voice dialling in the same device. Works with or without mobile phone.

